

JVC

SCHEMATIC DIAGRAMS

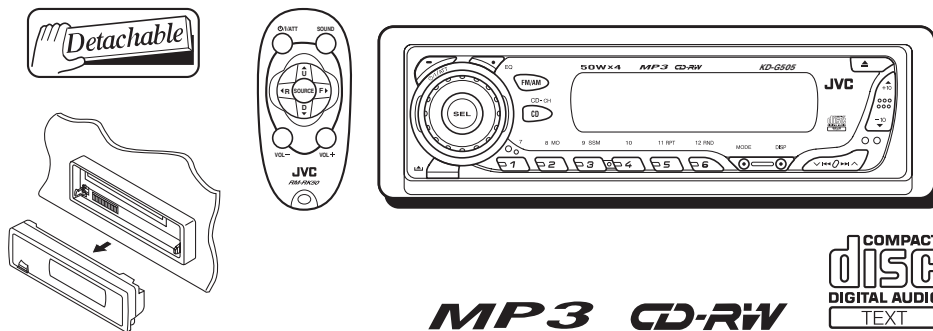
CD RECEIVER

KD-G505

CD-ROM No.SML200401

Area suffix

U ----- Other Areas



Contents

Block diagram	2-1
Standard schematic diagrams	2-2
Printed circuit boards	2-5 to 7

Safety precaution

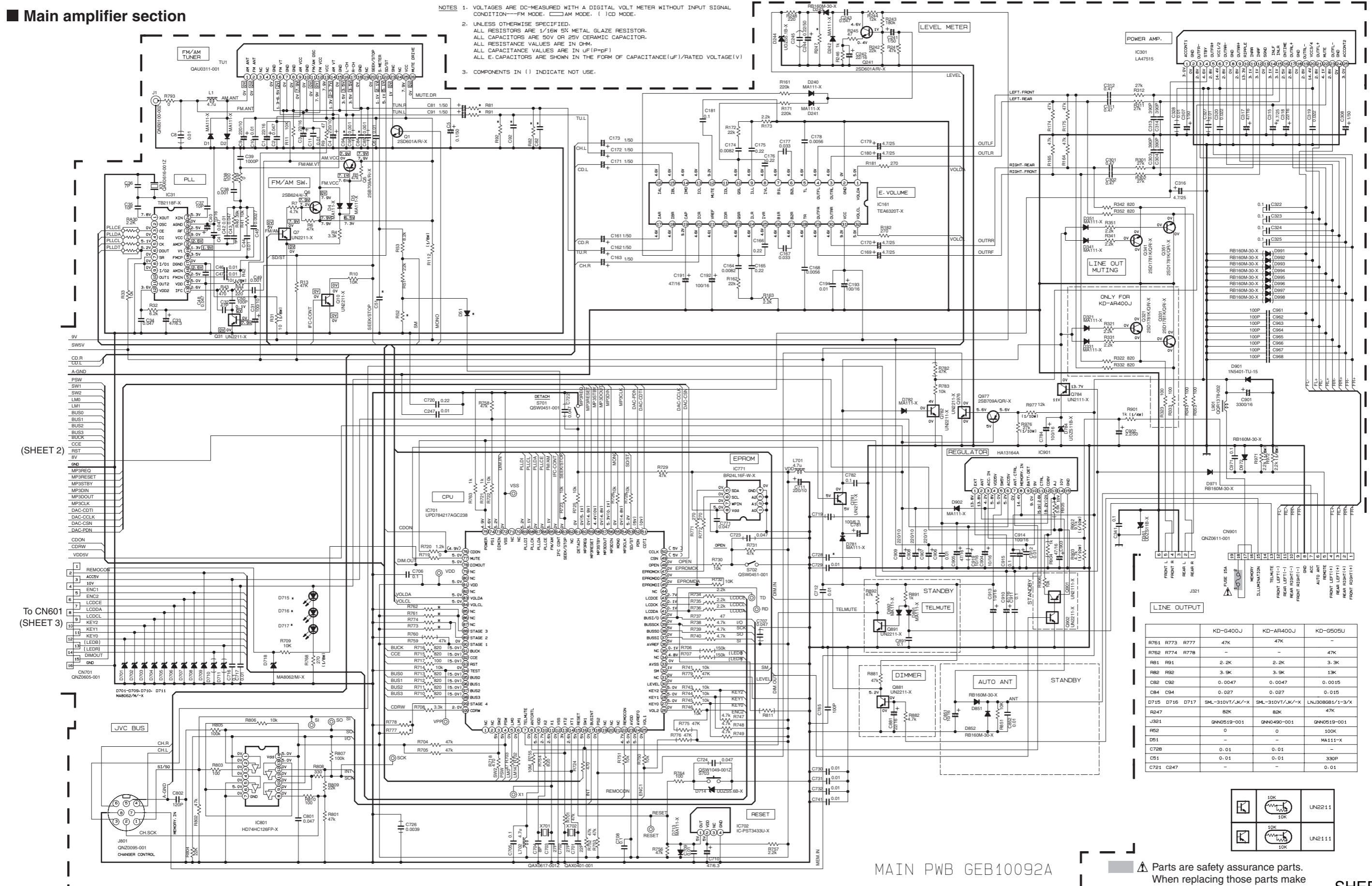
 **CAUTION** Burrs formed during molding may be left over on some parts of the chassis. Therefore, pay attention to such burrs in the case of performing repair of this system.

 **CAUTION** Please use enough caution not to see the beam directly or touch it in case of an adjustment or operation check.

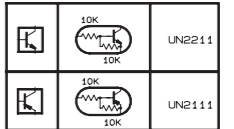
Standard schematic diagrams

■ Main amplifier section

- NOTES
1. VOLTAGES ARE DC-MEASURED WITH A DIGITAL VOLT METER WITHOUT INPUT SIGNAL. CONDITION---FM MODE. () CD MODE.
 2. UNLESS OTHERWISE SPECIFIED, ALL RESISTORS ARE 1/16W 5% METAL GLAZE RESISTOR. ALL CAPACITORS ARE 50V OR 25V CERAMIC CAPACITOR. ALL RESISTANCE VALUES ARE IN OHM. ALL CAPACITANCE VALUES ARE IN UF(P-PF). ALL E-CAPACITORS ARE SHOWN IN THE FORM OF CAPACITANCE(UF)/RATED VOLTAGE(V).
 3. COMPONENTS IN () INDICATE NOT USE.



	KD-G400J	KD-AR400J	KD-G505U
R761 R773 R777	47K	47K	-
R762 R774 R778	-	-	47K
R81 R89	2.2K	2.2K	3.3K
R82 R82	3.9K	3.9K	13K
C82 C92	0.0047	0.0047	0.0015
C84 C94	0.027	0.027	0.015
D715 D716 D717	SML-310VT/JK/-X	SML-310VT/JK/-X	LNJ308681/1-3/X
R247	82K	82K	47K
J321	QNN0519-001	QNN0490-001	QNN0519-001
R52	0	0	100K
D51	-	-	MA111-X
C728	0.01	0.01	-
C51	0.01	0.01	330P
C721 C247	-	-	0.01

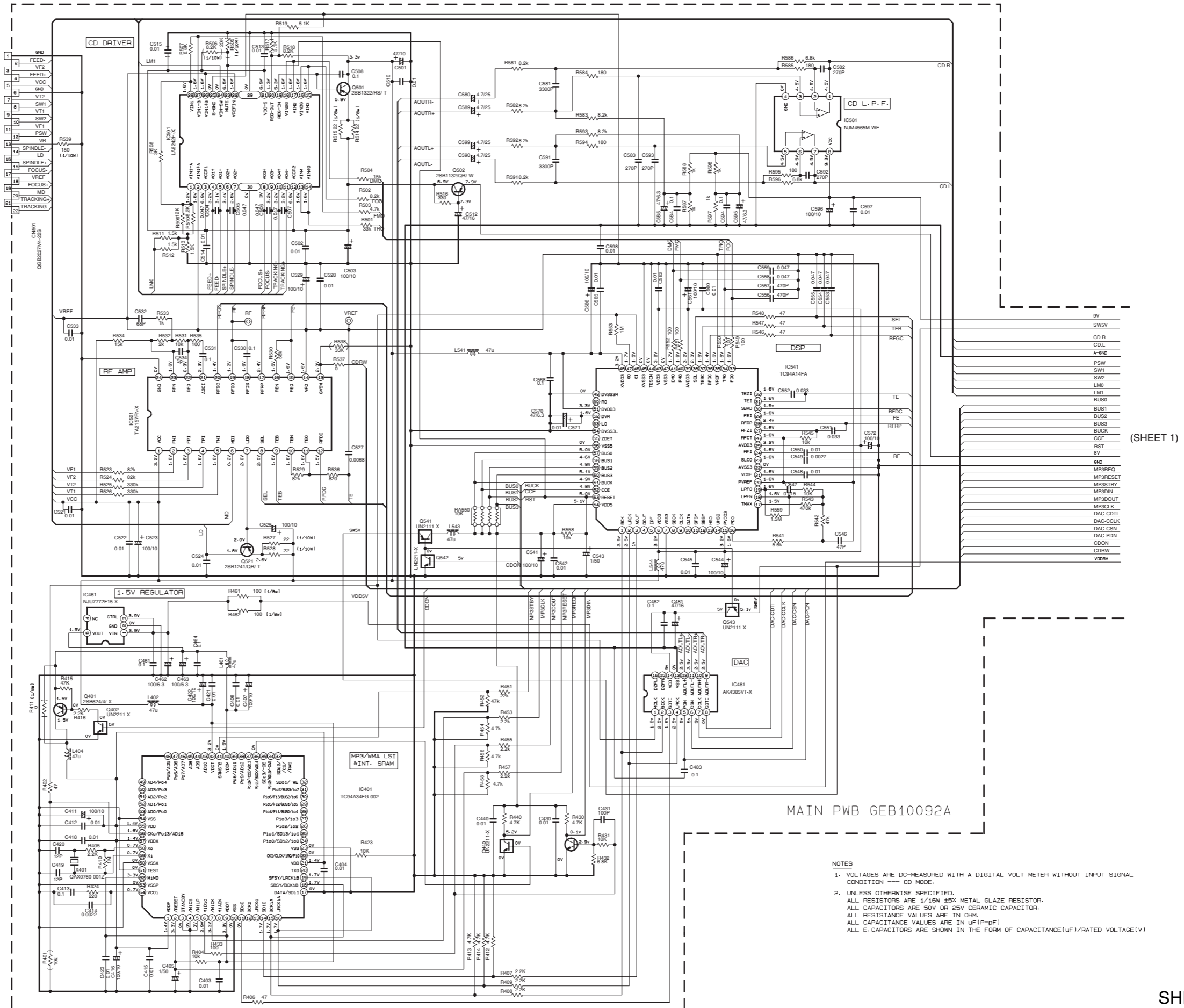
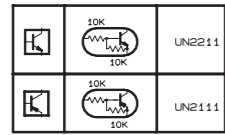
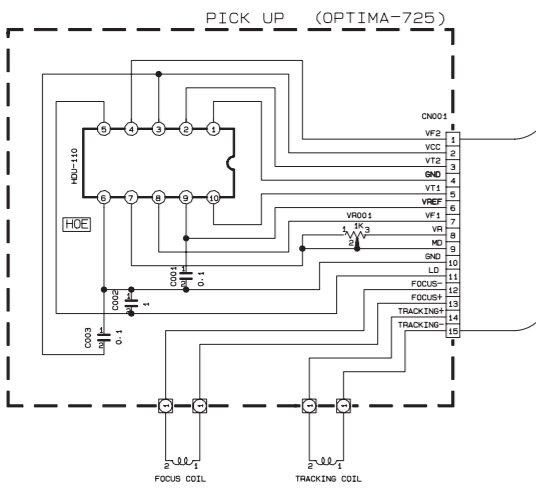
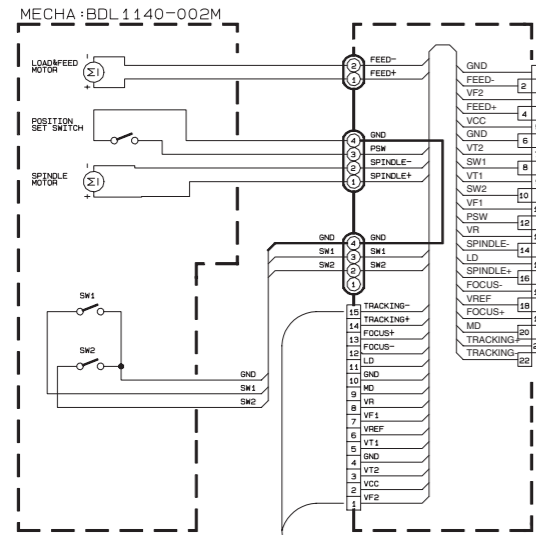


MAIN PWB GEB10092A

▲ Parts are safety assurance parts. When replacing those parts make sure to use the specified one.

SHEET 1

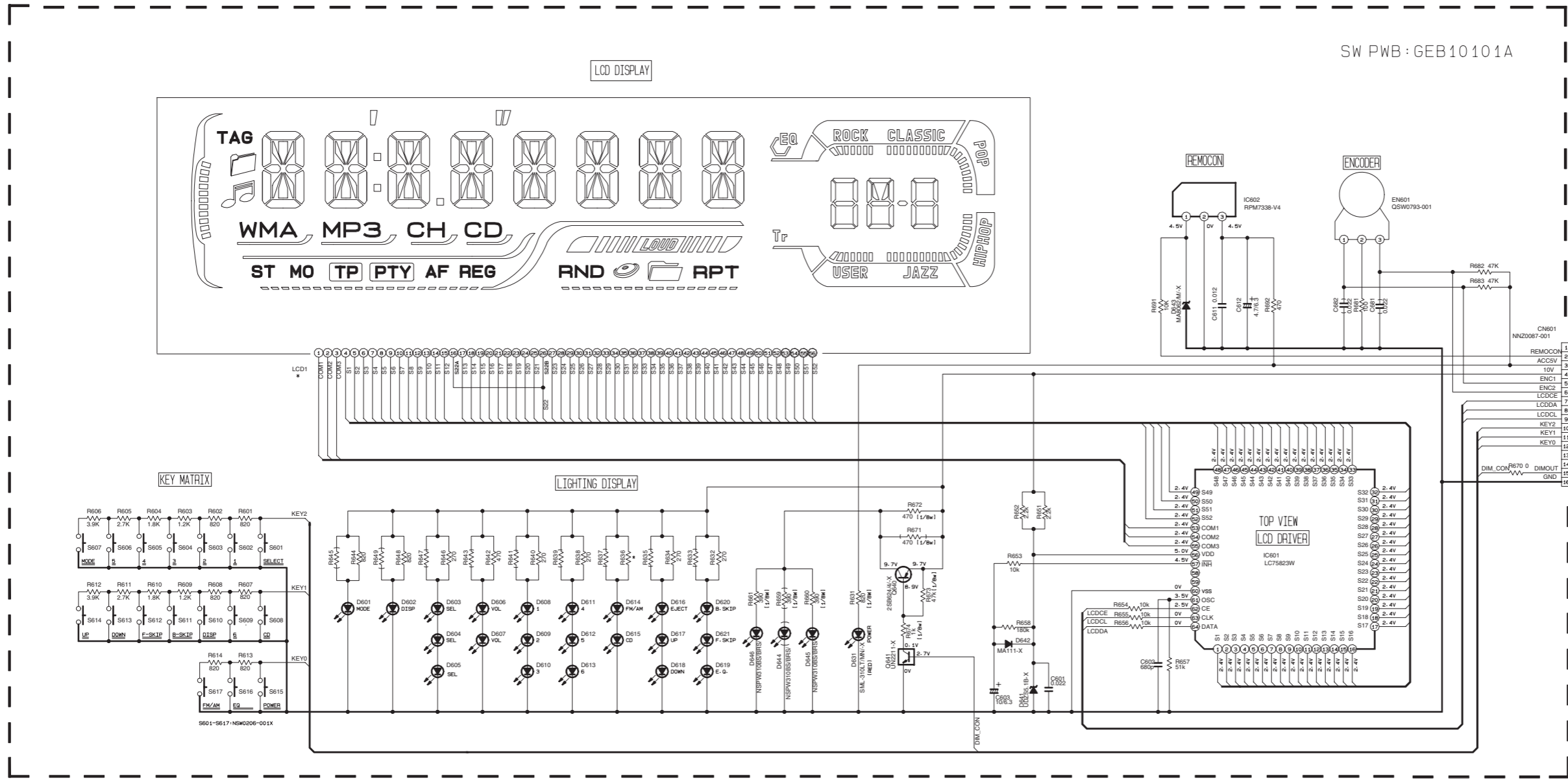
CD servo section



(SHEET 1)

- NOTES
- VOLTAGES ARE DC-MEASURED WITH A DIGITAL VOLT METER WITHOUT INPUT SIGNAL CONDITION — CD MODE.
 - UNLESS OTHERWISE SPECIFIED, ALL RESISTORS ARE 1/16W ±5% METAL GLAZE RESISTOR. ALL CAPACITORS ARE 50V OR 25V CERAMIC CAPACITOR. ALL RESISTANCE VALUES ARE IN OHM. ALL CAPACITANCE VALUES ARE IN uF(P=pF) ALL E. CAPACITORS ARE SHOWN IN THE FORM OF CAPACITANCE(uF)/RATED VOLTAGE(V)

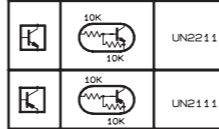
■ LCD & Key control section



SW PWB: GEB10101A

To CN701 (SHEET 1)

MODEL	KD-G400J	KD-AR400J	KD-G500J
D601-D613 D616-D621	SML-310VT/JK/-X	SML-310VT/JK/-X	LNJ308681/1-3/X
D614-D615	SML-310VT/JK/-X	SML-310VT/JK/-X	SML-310VT/JK/-X
LCD1	QLD0297-001	QLD0297-001	QLD-0298-001
R636	NRSA02J-B21X	NRSA02J-471X	NRSA02J-911X

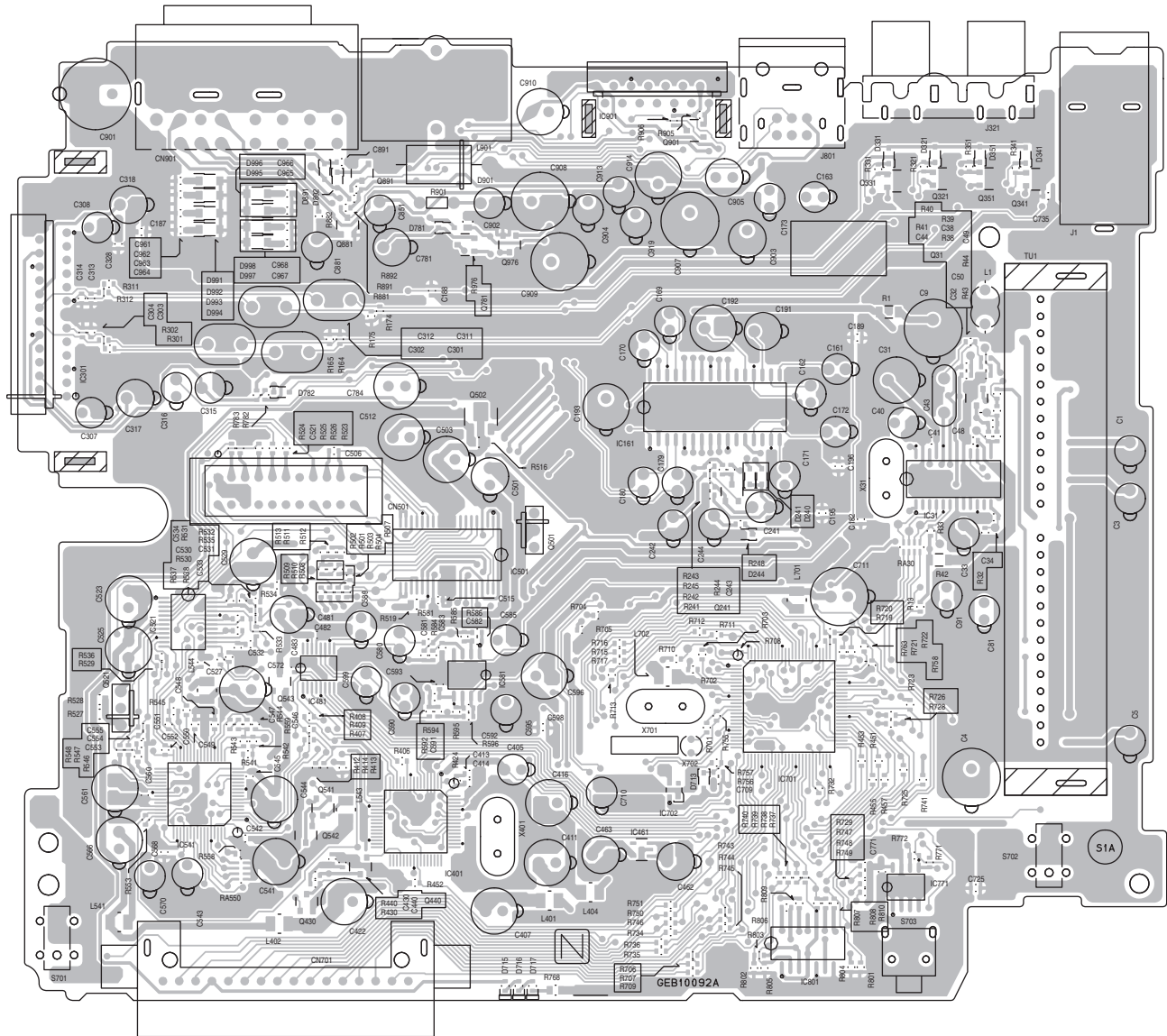


- NOTES
- VOLTAGES ARE DC-MEASURED WITH A DIGITAL VOLT METER WITHOUT INPUT SIGNAL.
 - UNLESS OTHERWISE SPECIFIED, ALL RESISTORS ARE 1/16W METAL GLAZE RESISTORS. ALL CAPACITORS ARE 50V OR 25V CERAMIC CAPACITOR. ALL RESISTANCE VALUES ARE IN OHM. ALL CAPACITANCE VALUES ARE IN uF (PpF). ALL E. CAPACITORS ARE SHOWN IN THE FORM OF CAPACITANCE(uF)/RATED VOLTAGE(V). T --- TANTALUM CAPACITOR.
 - COMPONENTS IN () INDICATE NOT USE.

Printed circuit boards

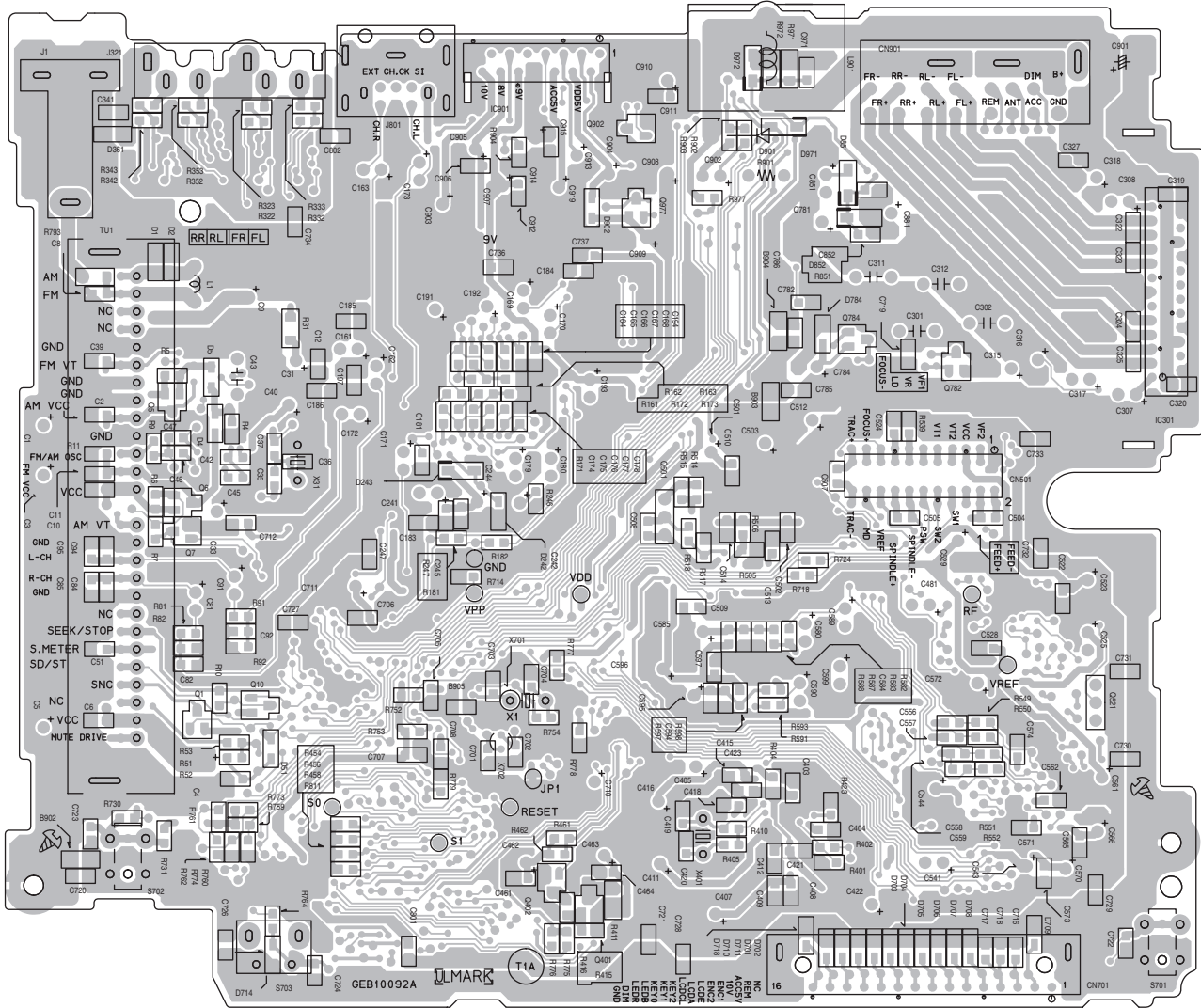
■ Main board

Forward side



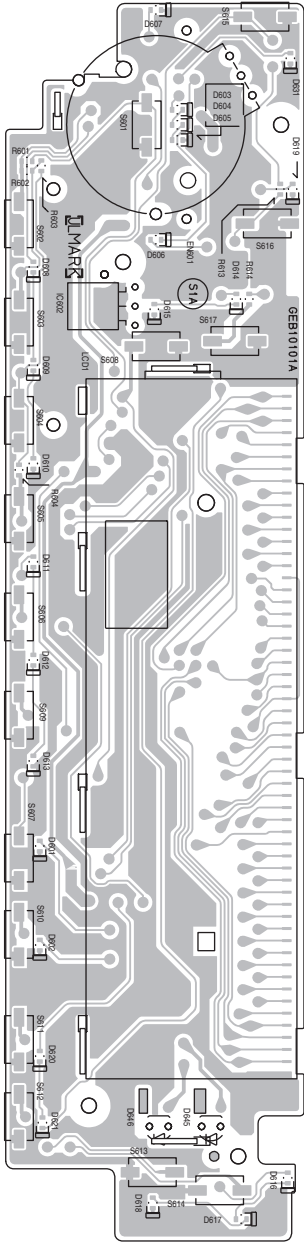
Main board

Reverse side

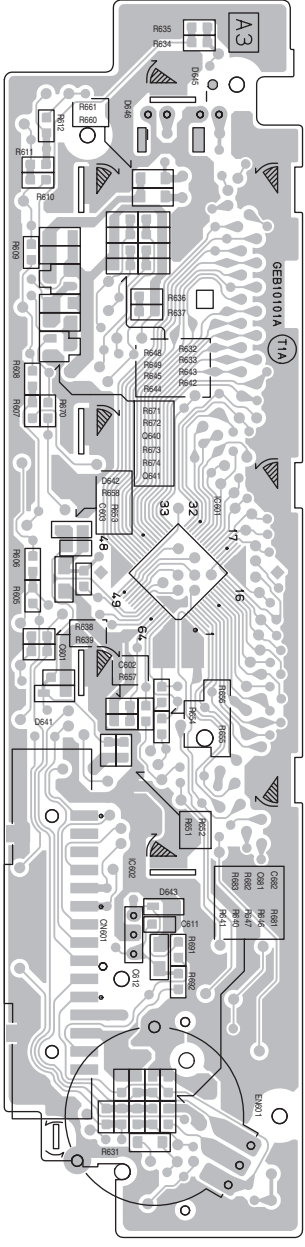


■ Front board

Forward side



Reverse side



JVC

VICTOR COMPANY OF JAPAN, LIMITED

AV & MULTIMEDIA COMPANY MOBILE ENTERTAINMENT CATEGORY 10-1,1chome,Ohwatari-machi,Maebashi-city,371-8543,Japan

(No.MA033SCH)



Printed in Japan
WPC